

Data Sheet

WÖHR LEVEL PARKER 570



Please observe the separate Technical Notes!



In the fully automated system Level Parker 570 cars are slid and glided closer together in a way like a puzzle. Flexible configuration options.

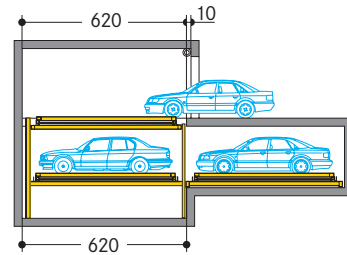
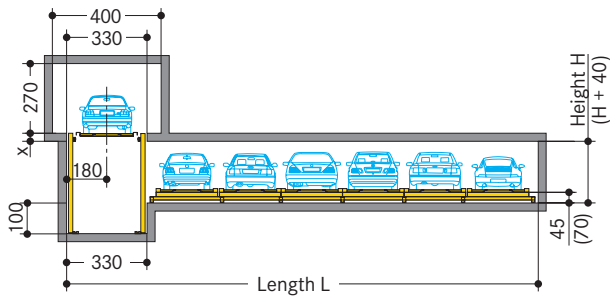
- Automatic car parking system for parking of vehicles on 1 to 4 parking levels
- Small footprint
- Multiple row arrangement with 3, 4 or 5 rows behind each other possible
- Safe for user and cars (no narrow ramps, dark stairs, no damage of theft or vandalism)
- No need for ramps and driving lanes
- No costly illumination and ventilation
- Variation options for individual project requirements
- Integrated turntable option
- For car weight up to 2.5 t, higher loads are possible after consultation with WÖHR
- Easy operation with several control options, e.g. transponder chip or remote control
- Suitable for apartment- and office buildings
- Following the idea of „Green Parking“



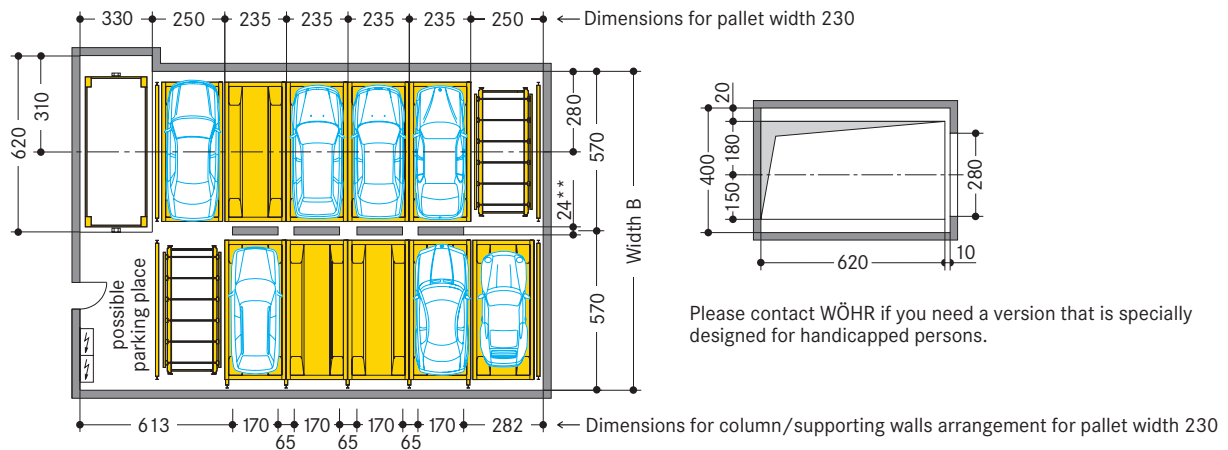
Level Parker 570

The example below shows a Level Parker 570 with one parking level and 10 parking spaces. For the vehicle transport a chain lift is used. The table below on the left specifies the minimum dimensions.

An additional parking space may be arranged in front of the vertical lift provided that the switch cabinet can be placed somewhere else.



() Dimensions in brackets with turning device



Please contact WÖHR if you need a version that is specially designed for handicapped persons.

** if the column/supporting walls width of 24 cm is changed, »width B« changes as well

Pallet width 230	
Parking places	Length L
6	1300
8	1535
10	1770
12	2005
14	2240
16	2475
18	2710
20	2945
22	3180
24	3415

Parking levels	Height H for 160 cm high cars	Height H for 200 cm high cars
1	215	255

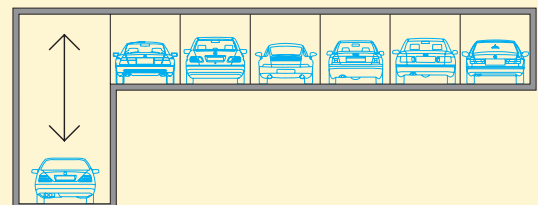
Number of rows	Width B
2	1140
3	1710
4	2280

Indicated heights refer to a system without turning device.

Dimensions in cm

Above-ground systems

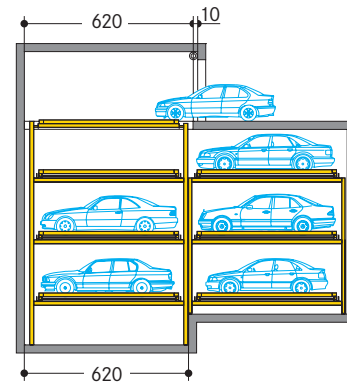
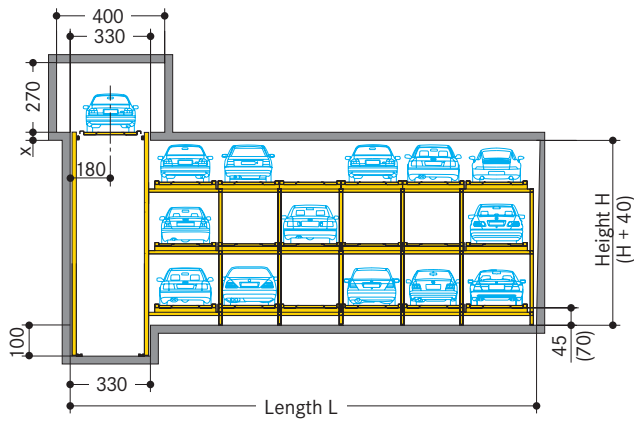
The Level Parker 570 can be installed out below ground, but also above ground. An arrangement without vertical lift is possible at ground-level.



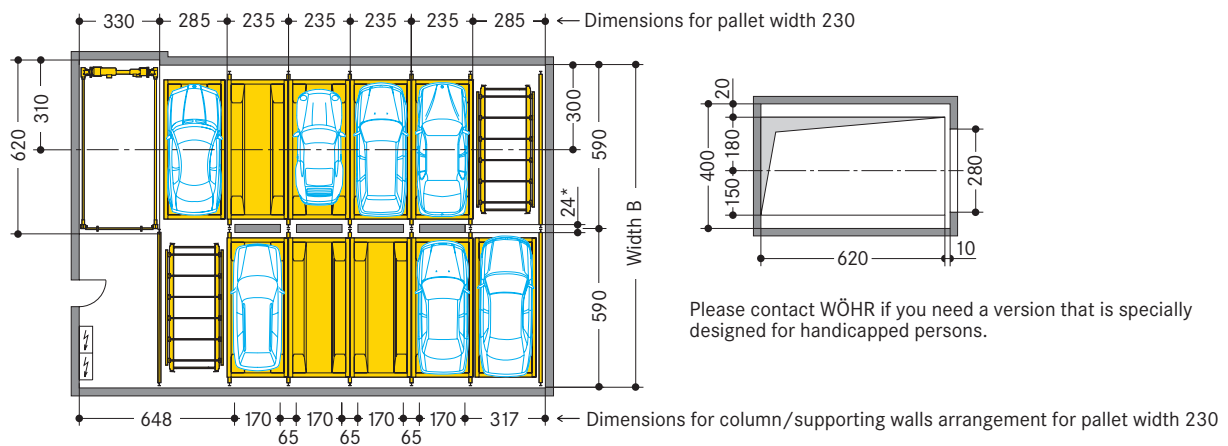
Level Parker 570

The example below shows a Level Parker 570 with three parking levels and 30 parking spaces. For the vehicle transport a chain lift is used. The table below on the left specifies the minimum dimensions.

An additional parking space may be arranged on all levels in front of the vertical lift, provided that the switch cabinet can be placed somewhere else.



() Dimensions in brackets with turning device



Please contact WÖHR if you need a version that is specially designed for handicapped persons.

** if the column/supporting walls width of 24 cm is changed, »width B« changes as well

Pallet width 230	
Parking places	Length L
6	1370
8	1605
10	1840
12	2075
14	2310
16	2545
18	2780
20	3015
22	3250
24	3485

Parking levels	Height H for 160 cm high cars	Height H for 200 cm high cars
1	215	255
2	430	510
3	640	760
4	850	1010

Number of rows	Width B
2	1180
3	1760
4	2340
5	2920

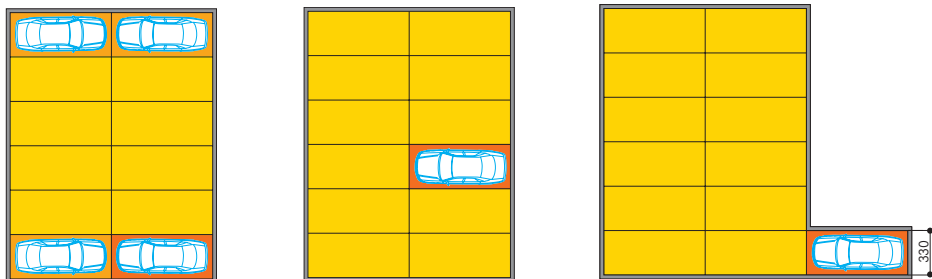
Indicated heights refer to a system without turning device.

Dimensions in cm

Maintenance access and switch cabinet

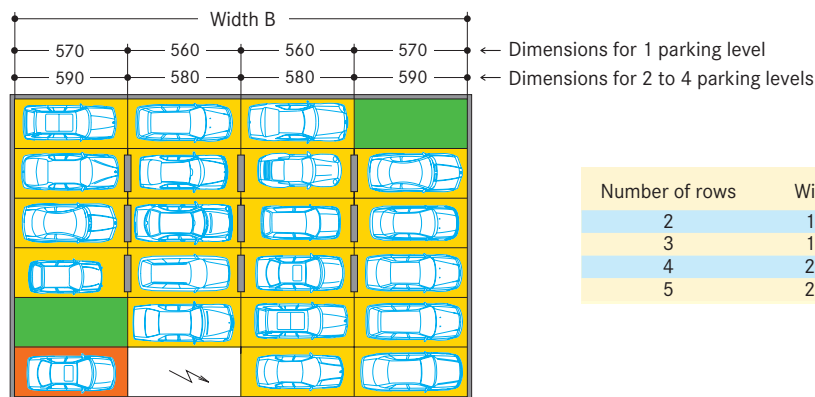
Maintenance access as well a room for the switch cabinet (min. 2 x 5 m) is required (please check with WÖHR).

■ Different variants – position of vertical lift



The vertical lift can be arranged at all four corners of the system. Special solutions with a vertical lift arranged at the front of the system or amongst the parking spaces can be constructed.

■ Multi-row arrangement



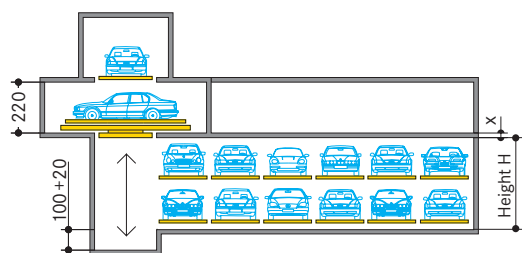
The Level Parker 570 can be constructed with more than only 2 rows, depending on the available space in the building.

Dimensions only valid for wall discs up to a maximum thickness of 24 cm.

■ Different variants – turning device

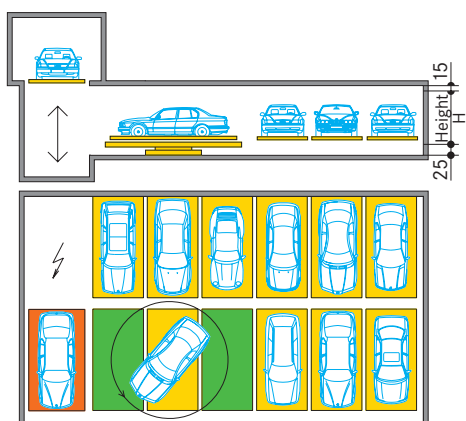
When building regulations or convenience forward driving out, a turning device can be integrated in the transfer area.

■ Turning device on the vertical lift



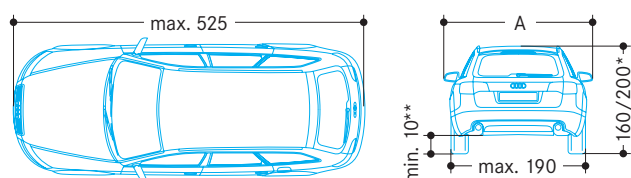
If there is an integrated turning device on the vertical lift, the cars can be rotated either in the transfer area or on an intermediate level, depending on the design of the building. (For details of the dimensions with turning device please contact WÖHR.)

■ Turning device at the parking level



If the building offers no other alternative, the turning device can also be accommodated at the lowest parking level. (For details of the dimensions with turning device please contact WÖHR.)

■ Max. car dimensions



Pallet width	Dimension A
230	220

Car weight max. 2500 kg, wheel load max. 625 kg.

These car dimensions are valid for the building dimensions as mentioned. If building dimensions are adjusted, other car dimensions are possible.

* Overall height (cars with roof racks, roof rails, antennas etc. should not exceed the mentioned overall height).
 ** Clearance underneath the gear case

For parking systems with EV charging options, WÖHR recommends the use of wider pallets.

Attention: Clear installation dimensions change accordingly.